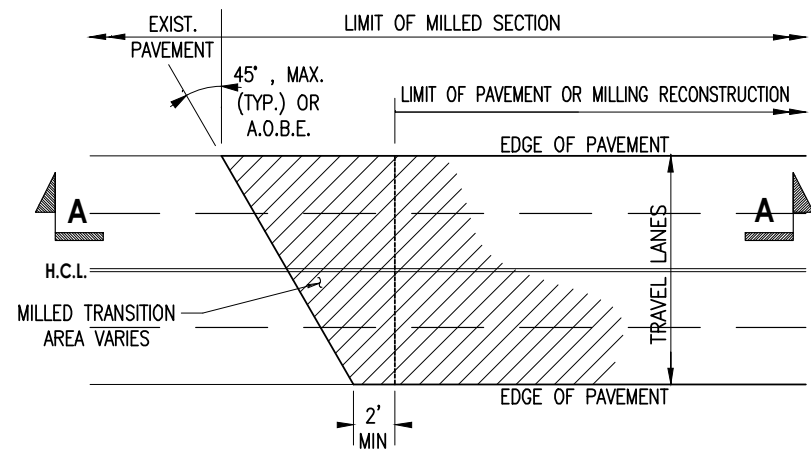


SECTION A-A

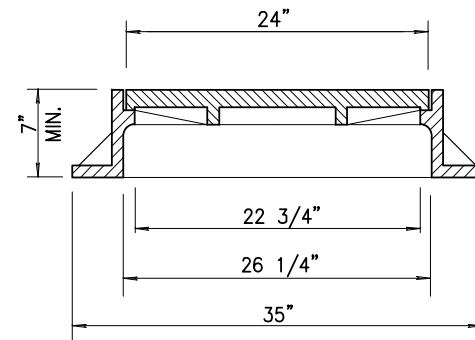
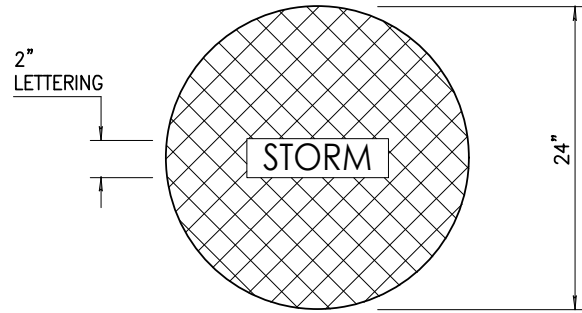


**PLAN
N.T.S.**

NOTE:
 THE COST OF ALL WORK ASSOCIATED WITH PAVEMENT TERMINATION (NEAT CUT, TACK COAT, MILLING AND PAVEMENT REMOVAL) SHALL BE INCLUDED IN THE PRICE BID FOR THE VARIOUS ASPHALT ITEMS. TACK COAT SHALL MEET THE REQUIREMENTS OF SECTION 702 OF THE NYS DOT STANDARD SPECIFICATIONS, LATEST REVISION.

**PAVEMENT TERMINATION FOR MILLING
OR RECONSTRUCTION**

NOT TO SCALE - REVISED: 06/12/23

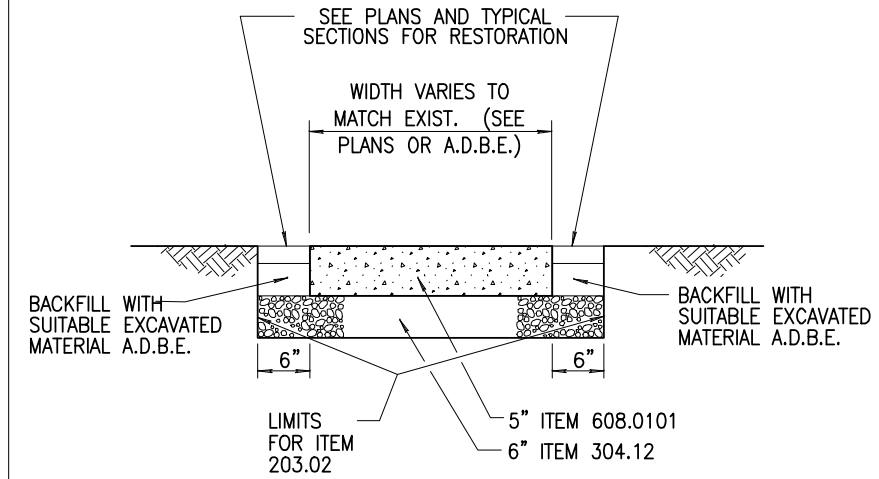


- NOTE :**
1. MANHOLE FRAMES AND COVERS SHALL BE SYRACUSE CASTING NO. 1032 FRAME W/ NO. 1007 PLATEN COVER (VENTED) OR APPROVED EQUAL. PAYMENT AREA = 3.3 S.F.
 2. NO RISER RING OTHER THAN PRE-CAST SHALL BE USED TO ADJUST FRAMES.
 3. CONCRETE SHALL NOT BE USED TO RESTORE PAVEMENT AROUND NEW OR ADJUSTED FRAMES AND COVERS. CONTRACTOR SHALL SAW-CUT A NEAT CLEAN LINE AROUND THE COVER, PLACE ASPHALT & SEAL SEAM WITH NYS DOT APPROVED CRACK FILL.

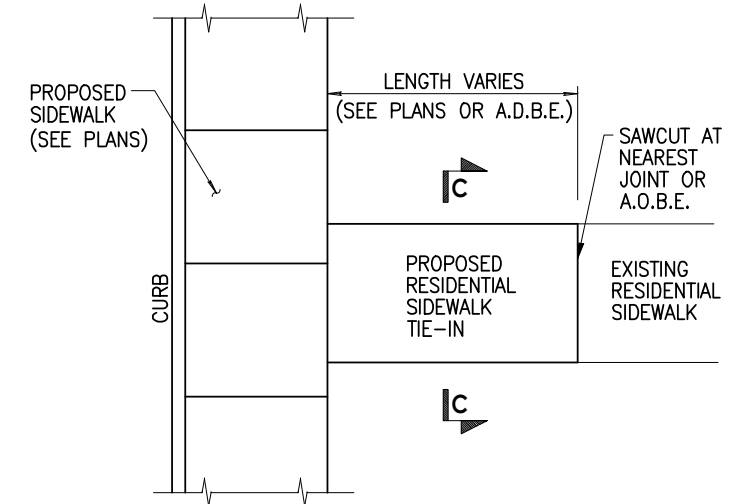
MANHOLE FRAME AND COVER

ITEM 655.1202

NOT TO SCALE - REVISED: 12/22/23



**SECTION C-C
NOT TO SCALE**



SIDEWALK TIE-IN WITH RESIDENTIAL WALK

NOT TO SCALE - REVISED: 06/12/23

| | | |
|-----|------|-----|
| NO. | DATE | BY: |
| | | |
| | | |
| | | |
| | | |

CONSULTANT
 Consultant Address: (585) 867-5309, Rochester, New York XXXXX, Fax: (585) 867-5309
PROJECT MANAGER: MANAGER
DRAWN BY: DRAFTER

DEPARTMENT OF TRANSPORTATION
 50 WEST MAIN STREET, SUITE 6100, ROCHESTER, NEW YORK 14614-1231
 UNAUTHORIZED REPRODUCTION OR ALTERATION TO THIS DRAWING IS A VIOLATION OF THE NEW YORK STATE EDUCATION LAW, ARTICLE 145, SECTION 7209

| |
|-----------------------------|
| COUNTY ROAD # |
| PROJECT NAME |
| PROJECT LIMITS |
| TOWN |
| CAPITAL PROJECT NO. XXXX.XX |